

## Omni-ID® Exo 800

Omni-ID Exo 800 is long range passive UHF RFID tag capable of reading on, off, and near metal surfaces. Designed in a surprisingly small form factor, the Omni-ID Exo 800 features a rugged design for long term use in outdoor and industrial environments. New to the Exo 800 is a customization option for a transparent tag that provides full protection for printing within the tag case.

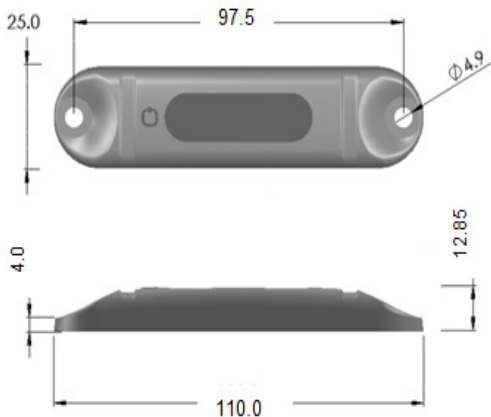
### Applications

With a long read range and high durability, the Omni-ID Exo 800 is ideally suited to:

- ▶ Manufacturing tote tracking.
- ▶ Logistics and Postal
- ▶ Retail supply chain

### Physical Specifications

Encasement	Grey ABS Rigid Plastic
Size (mm)	110 x 25 x 12.85
Size (in)	4.33 x 0.98 x 0.51
Weight (g)	26.0



Dimensions stated in mm  
Note: Grey tag and Transparent tag are the same size

### RF Specifications

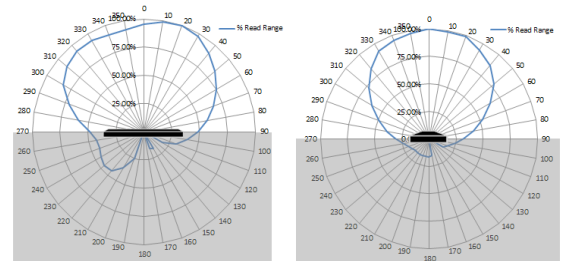
Protocol	EPC Class 1 Gen2v2
Frequency Range (MHz)	860-930 (GS)
Read Range (Fixed reader) <sup>1</sup>	Up to 8.0m (on metal) Up to 6.0m (off metal)
Read Range (Handheld reader) <sup>1</sup>	Up to 4.0m (on metal) Up to 3.0m (off metal)
Material Compatibility	Optimized for Metal
IC Type (chip)	Impinj Monza 4QT
Memory <sup>2</sup>	EPC - 128bit User - 512bits Unique TID - 48bits

<sup>1</sup>Quoted performance achieved using standard testing methodology. Read range will vary with reader hardware and output power.

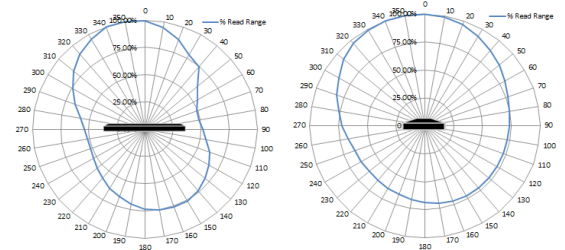
<sup>2</sup>EPC and User memory are reprogrammable, UTID is locked at point of manufacture.

### Radiation Patterns

On Metal



On Plastic



## Related Products and Services

- ▶ **Omni-ID Exo 400** - Small RFID tag with rugged encapsulation, capable of surviving temperatures to 235 °C.
- ▶ **Omni-ID Exo 600**- High performance, global RFID tag designed to meet the diverse needs of logistics industries.
- ▶ **Omni-ID Exo 1000** - Long read range RFID tag in a small form factor, slightly less rugged, but with a lower cost.
- ▶ **Service Bureau** - Omni-ID offers a full service bureau for printing and pre-encoding Omni-ID tags at point of manufacture.



## Environmental Specifications

Storage Temperature<sup>1</sup> -40 ° to +85 °C

Operation Temperature<sup>1</sup> -40 ° to +85 °C




Survivability<sup>1</sup> -40 ° to +85 °C

IP Rating IP68

Shock and Vibration MIL STD 810-G

Impact<sup>2</sup> 10kg from 1m

Attachment  
Mechanical (std)  
Cable Tie  
Premium Foam (option)

Certifications  



 RoHS approved  
 CE approved  
 ATEX/IECEx certified (option)  
 US&Canada (C1D1/D2) certified (option)

Warranty 3 years

<sup>1</sup>Excludes adhesive options, consult adhesive data sheets for recommended temperature ratings.

<sup>2</sup>Testing methodology available on request

## Ordering Information

Order Code 077- GS

Option Code  
 :303 (Customization)  
 :304 (ATEX/IECEx certified)  
 :307 (US&Canada (C1D1/D2) certified)  
 :332 (Transparent case)  
 :508 (Premium foam)  
 :701 (Standard Service Bureau)



Laser Marking is a Standard Service Bureau Option (:701)  
 Transparent tags offer protection to product marking, MOQ 10k (:332)

Omni-ID office locations: **US | UK | China | India | Germany**  
 For product or technology inquiries email: [sales@omni-id.com](mailto:sales@omni-id.com)